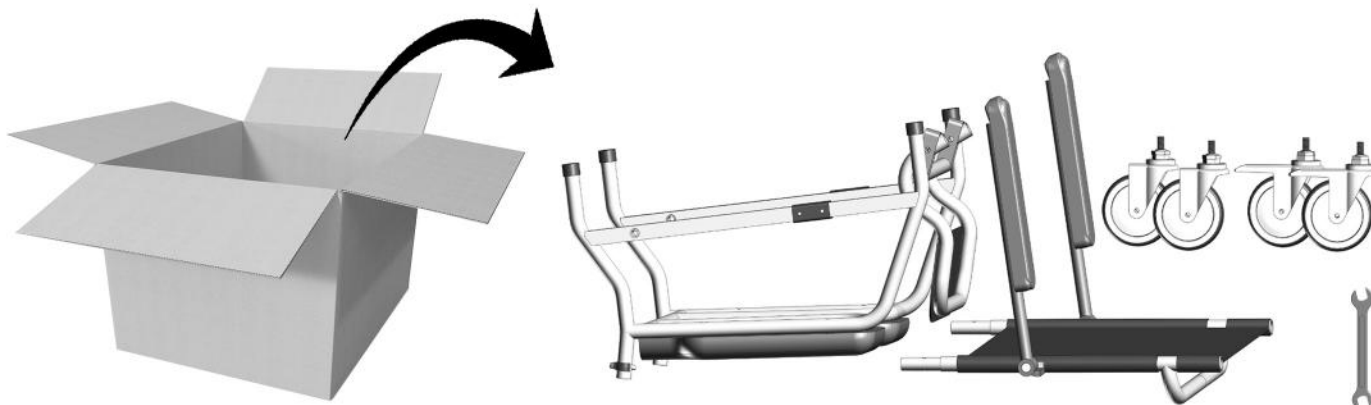
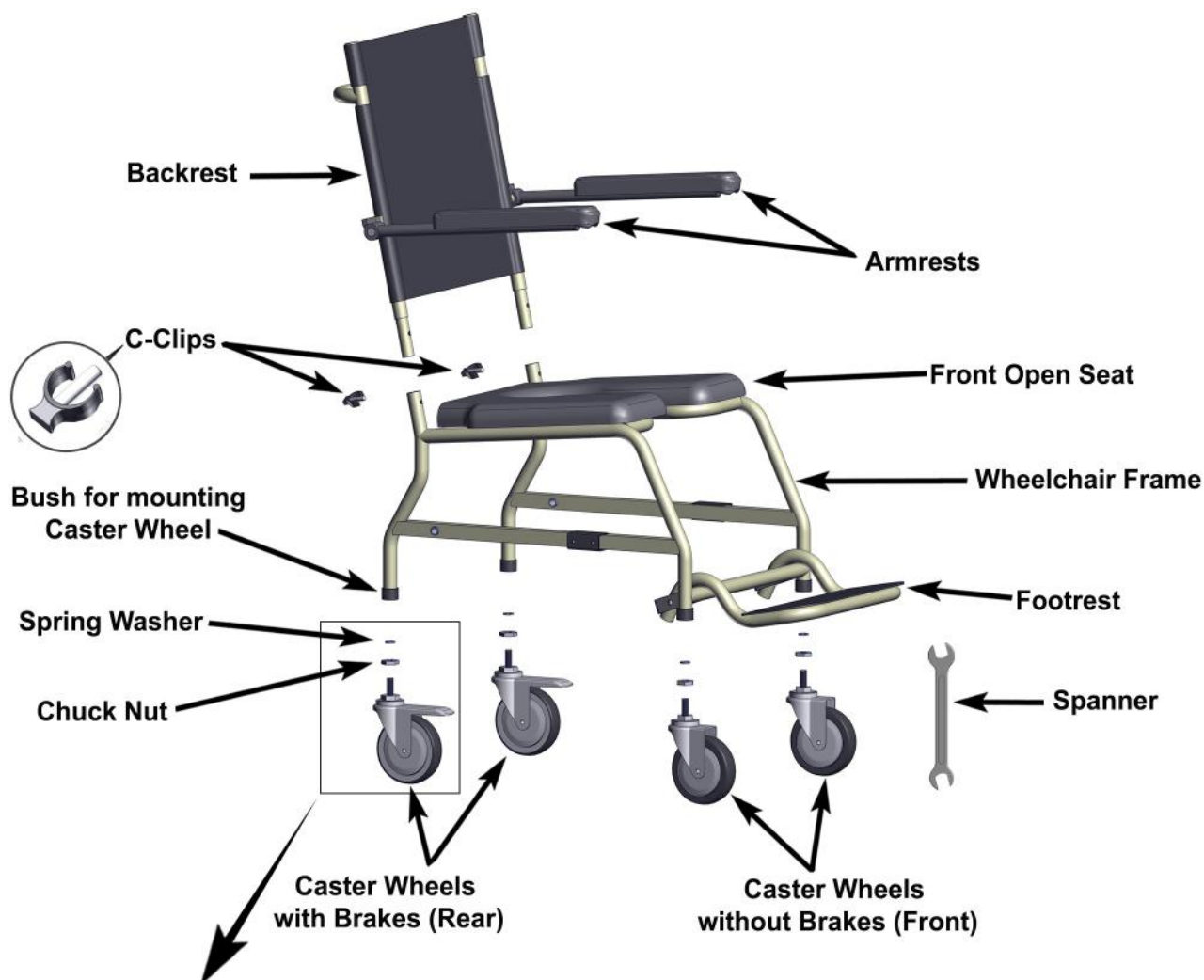


UNBOXING :



GET FAMILIARIZED :



INSIDE THE BOX:

No.	Description	Quantity
1.	Back Rest Assembly	1
2.	C- Pin (Inserted in Main Frame to hold backrest)	2
3.	Wheel Chair Main Frame	1
4.	12mm Spring Washer	4
5.	M12 Chuck Nut	4
6.	Caster Wheel with Brakes (Mounted on rear side)	2
7.	Caster Wheel without Brakes (Mounted on front side)	2
8.	Spanner No. 18-19	1

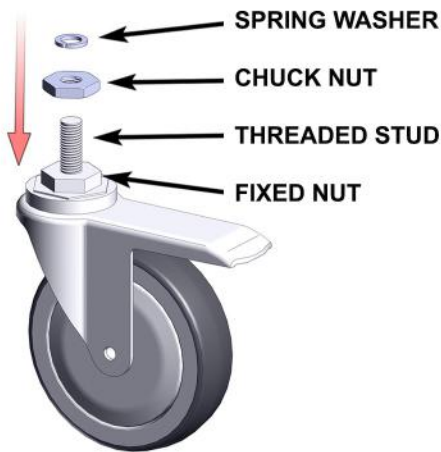
START ASSEMBLING THE CHAIR:

STEP 1:



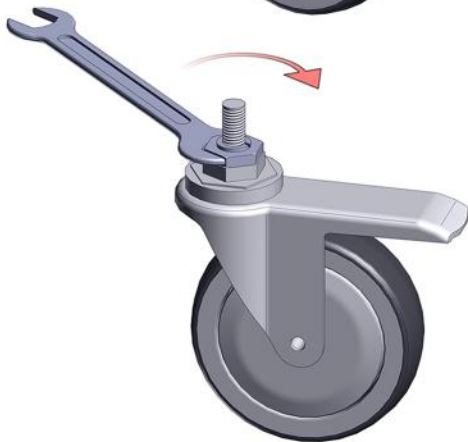
Keep the chair frame upside down on a smooth and clean surface.

STEP 2:



The chuck nuts and spring washers are securely taped into the threaded studs of the caster wheels.

Remove the white tape carefully.

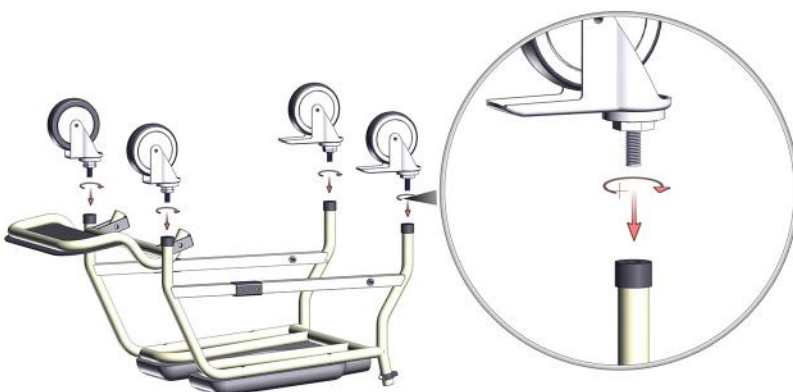


Use the spanner to tighten the chucknut.

Make sure there is no gap between the chuck nut and the fixed nut.

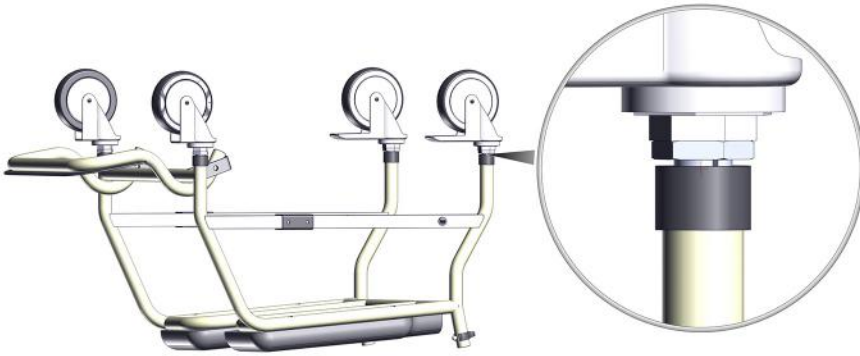
Place the spring washer on top of the chuck nut.

STEP 3:



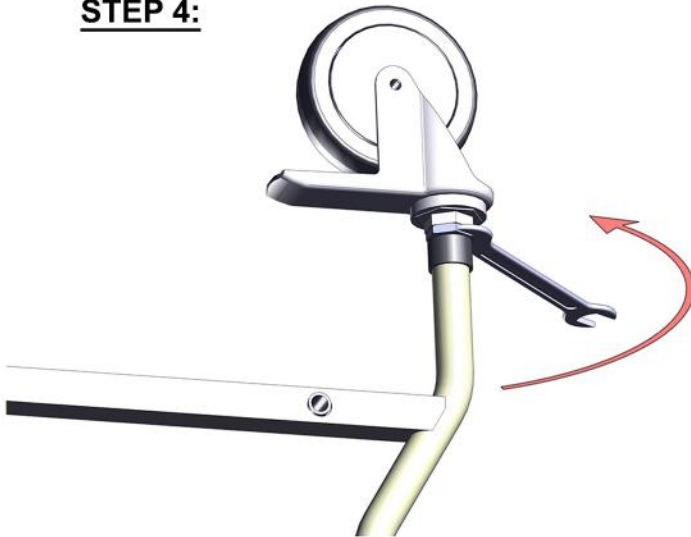
[Note: The caster wheels without brakes are to be mounted on the front legs and caster wheels with brakes are to be mounted on the rear legs of the chair.]

Take a caster wheel, securely hold the spring washer in its place and now start screwing the wheel into bush of the leg of the chair.



Rotate the caster wheel until there is no gap between the bush, spring washer, chuck nut and the fixed nut.

STEP 4:



Use the spanner to properly tighten the chuck nut against the bush as shown in the pic.

STEP 5:



Now use the spanner to tighten the fixed nut of the caster wheel against the chuck nut.

Note:

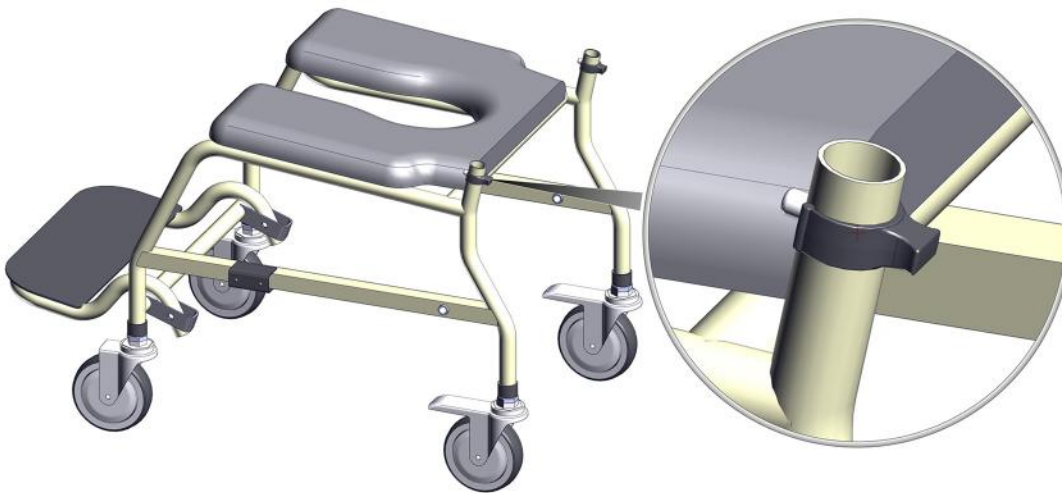
Make sure to properly tighten all the chuck nuts and fixed nuts of all the caster wheels.

STEP 6:

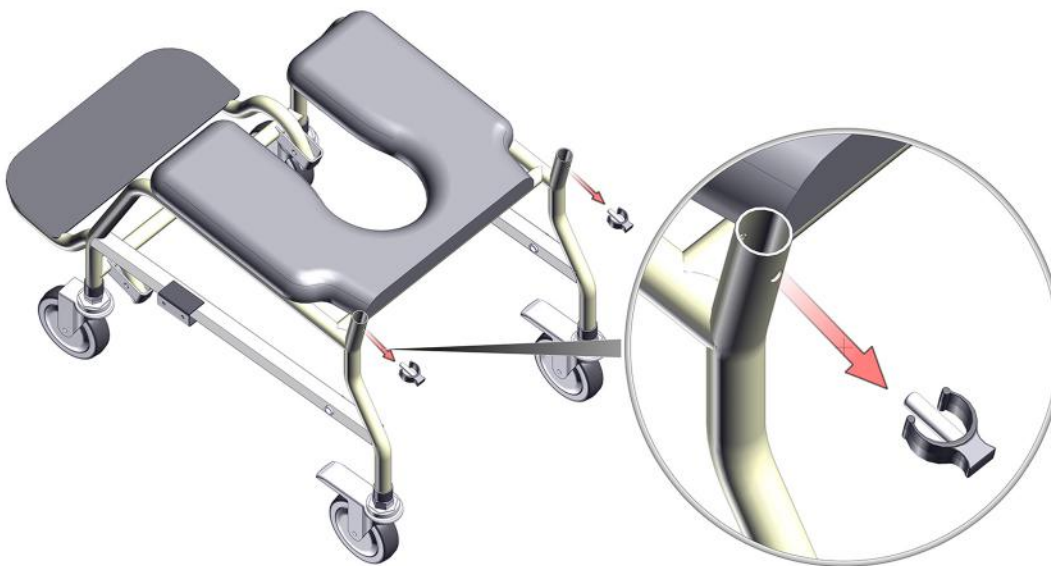


Now turn the chair onto its wheels.
Engage the rear caster wheel brakes.

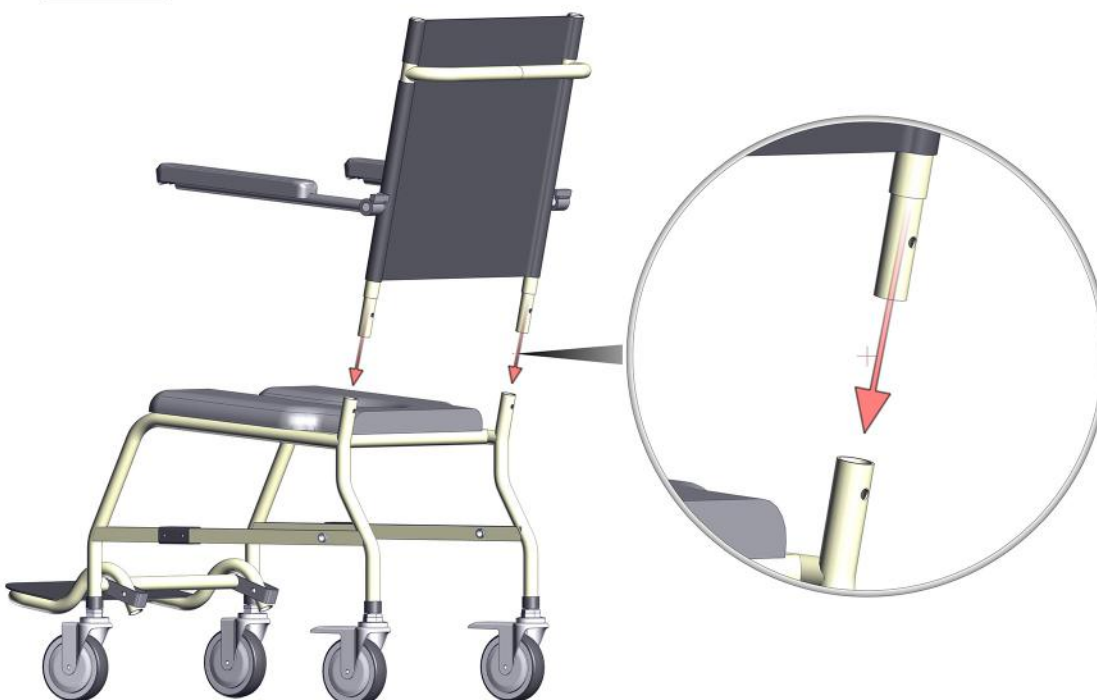
Now we will be fixing the backrest to the chair.

STEP 7:

There are 2 C-Clips inserted in the backrest socket pipes.



Take out the C-Clips from the backrest socket pipes.

STEP 8:

Insert the backrest into the backrest socket pipes.



Insert the backrest properly such that the holes on the backrest coincide with the holes on the socket pipe.

Step 9:



Now push the C-Clips through the coinciding holes of the backrest and the socket pipes.



Make sure the metallic pin of the C-clip passes through both the pipes.

Congrats! Now your chair is ready for use.